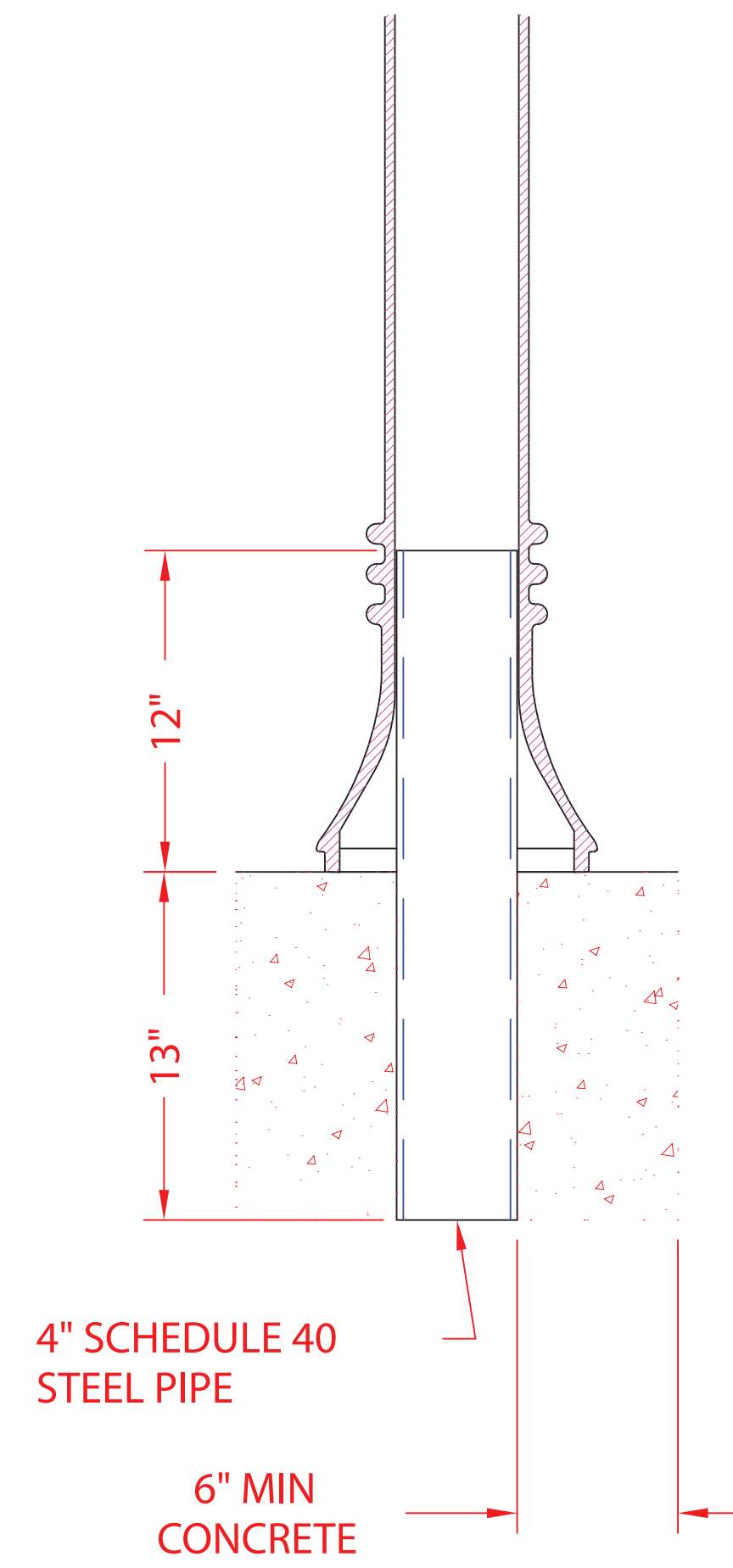
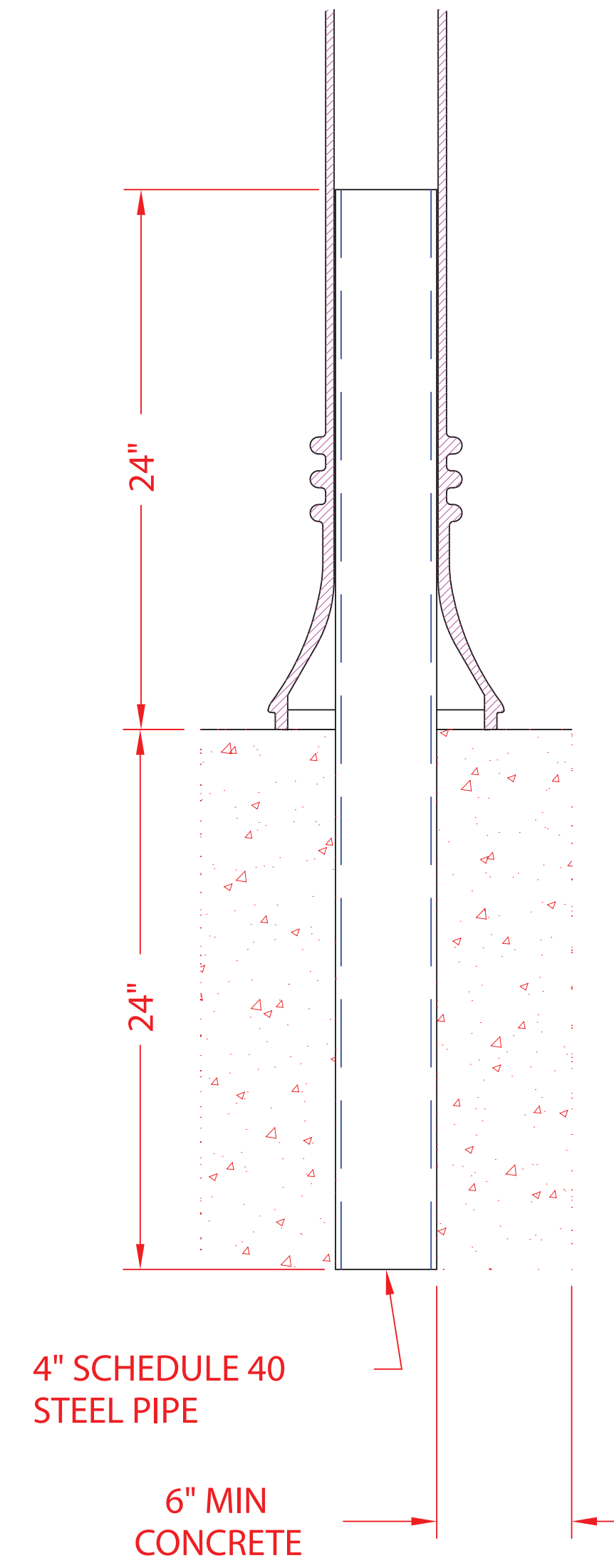


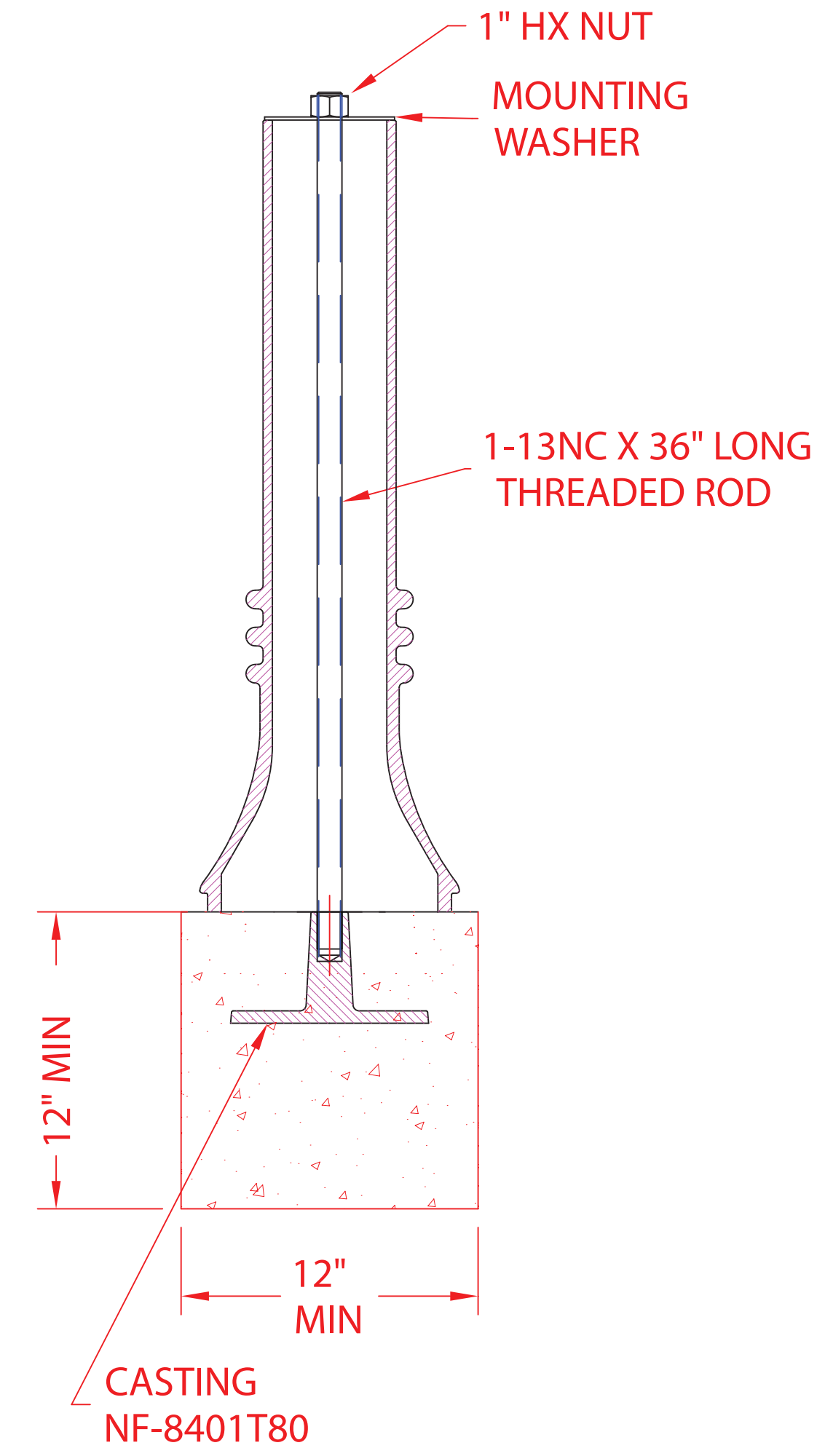
**STANDARD EMBEDDED
PIPE POST
FOR NEW CONCRETE**



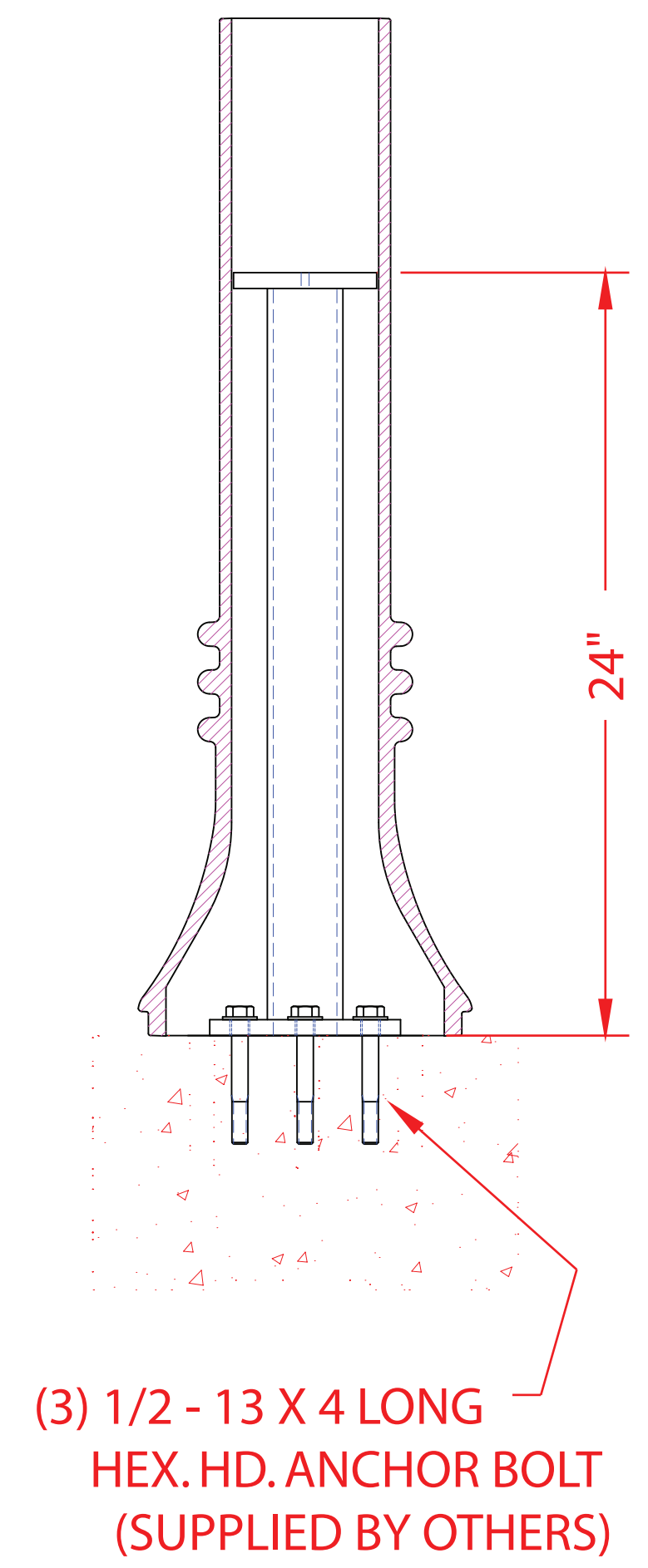
**EMBEDDED
PIPE POST
FOR NEW CONCRETE**



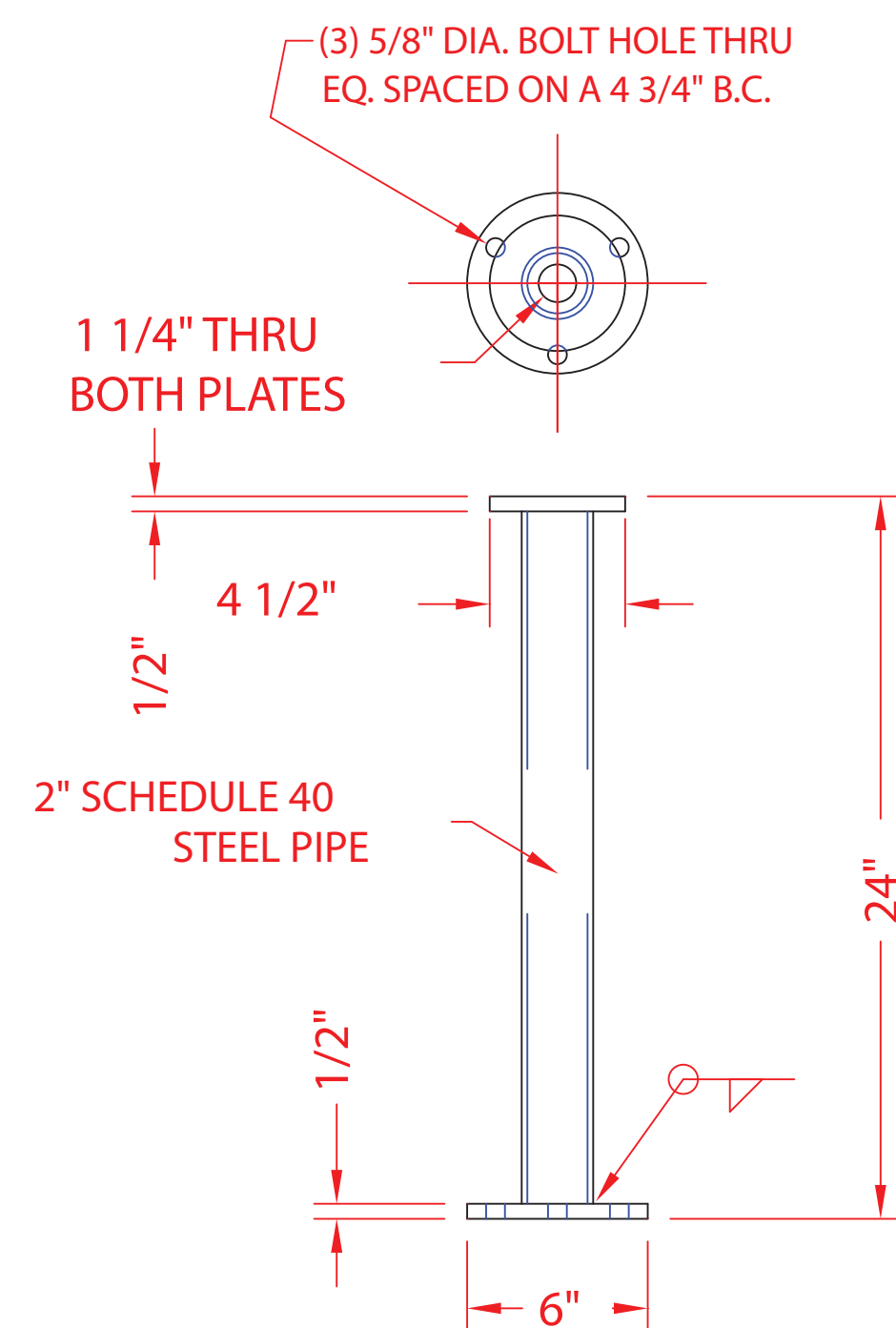
**BOLLARD
w/ ANCHOR CASTING
FOR NEW CONCRETE**



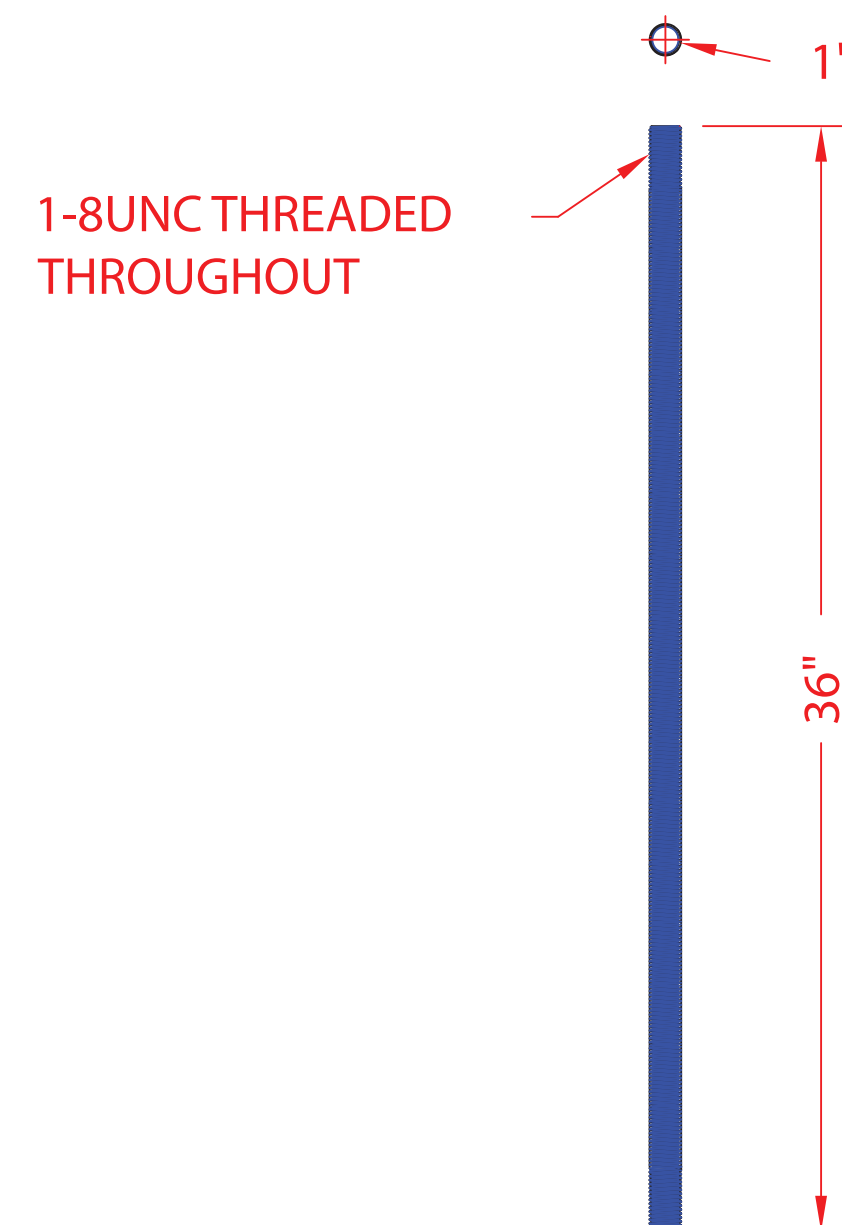
**PIPE POST
w/ MOUNTING FLANGE
FOR EXISTING CONCRETE**



MOUNTING PIPE



**THREADED ROD
DETAIL**



**STAMPED STEEL
WASHER
DETAIL**

